

DS25 1" (25NB)

Pump Specifications

Model No.	DS25
Port Size:	1" (25NB) BSPP Female
Max. Flow:	23 L/min
Max. Suction Lift:	6m
Max. Discharge Head:	6m
Max. Solid Size:	15mm
Weight:	38 KG

Motor Specifications

Brand:	Weg W22 Single Phase
kW:	.25
RPM:	1440
Voltage:	240
FLC:	1.85 amps
IP Rating:	55
Lead / Plug:	2m Flex. / 3 Pin

Materials of Construction

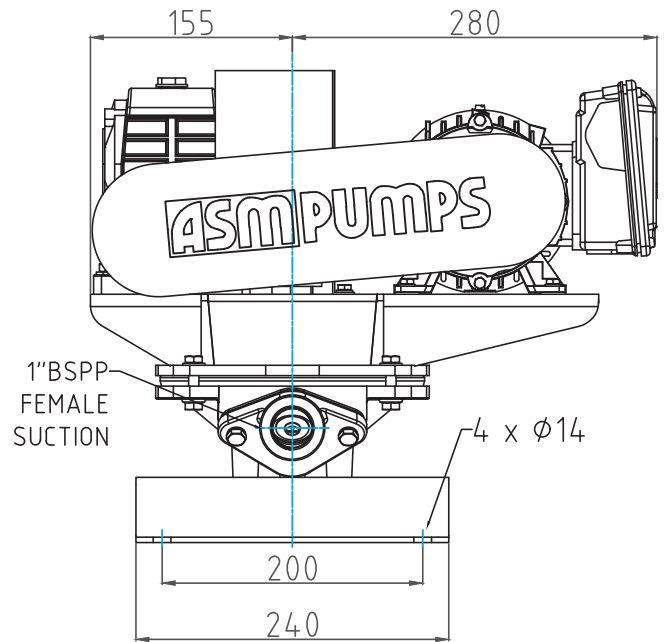
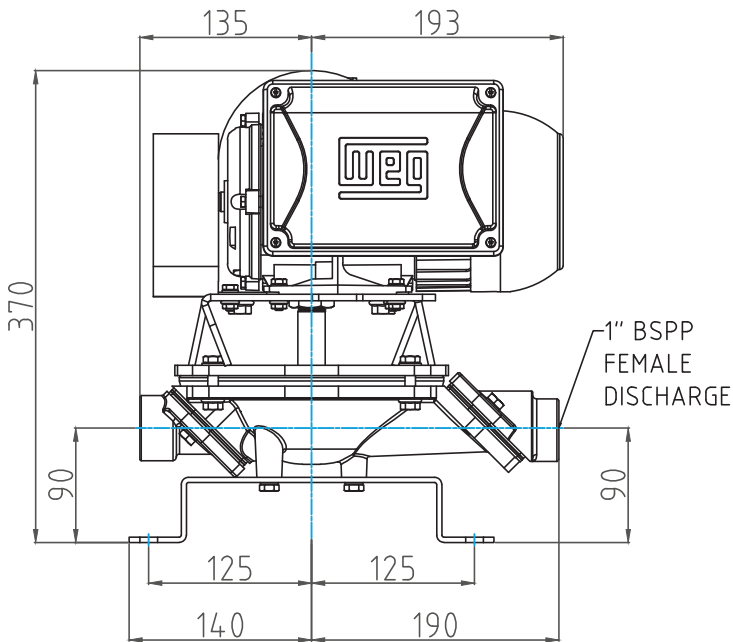
Diaphragm:	Nitrile
Valves:	Nitrile
Castings:	SG Iron E-Coated
Base Plate:	Mild Steel E-Coated

Options:	EPDM & Viton
Options:	EPDM, Viton & Polyurethane
Options:	Bronze & Stainless Steels
Options:	Stainless Steel, Carry & Trolley Frame

Recommended Accessories

Discharge Pulsation Dampener	Part No. PD1D
Suction Pulsation Dampener	Part No. PD1S
Fluid End Service Kit	Part No. D25K1

Please refer to D Series Installation & Maintenance manual before installing or servicing the diaphragm pump.



ASM PUMPS
 14 Nicole Way, Dandenong South, Victoria, 3175
 Ph: 03 9793 7577 Email: sales@asmpumps.com.au
 www.asmpumps.com.au

